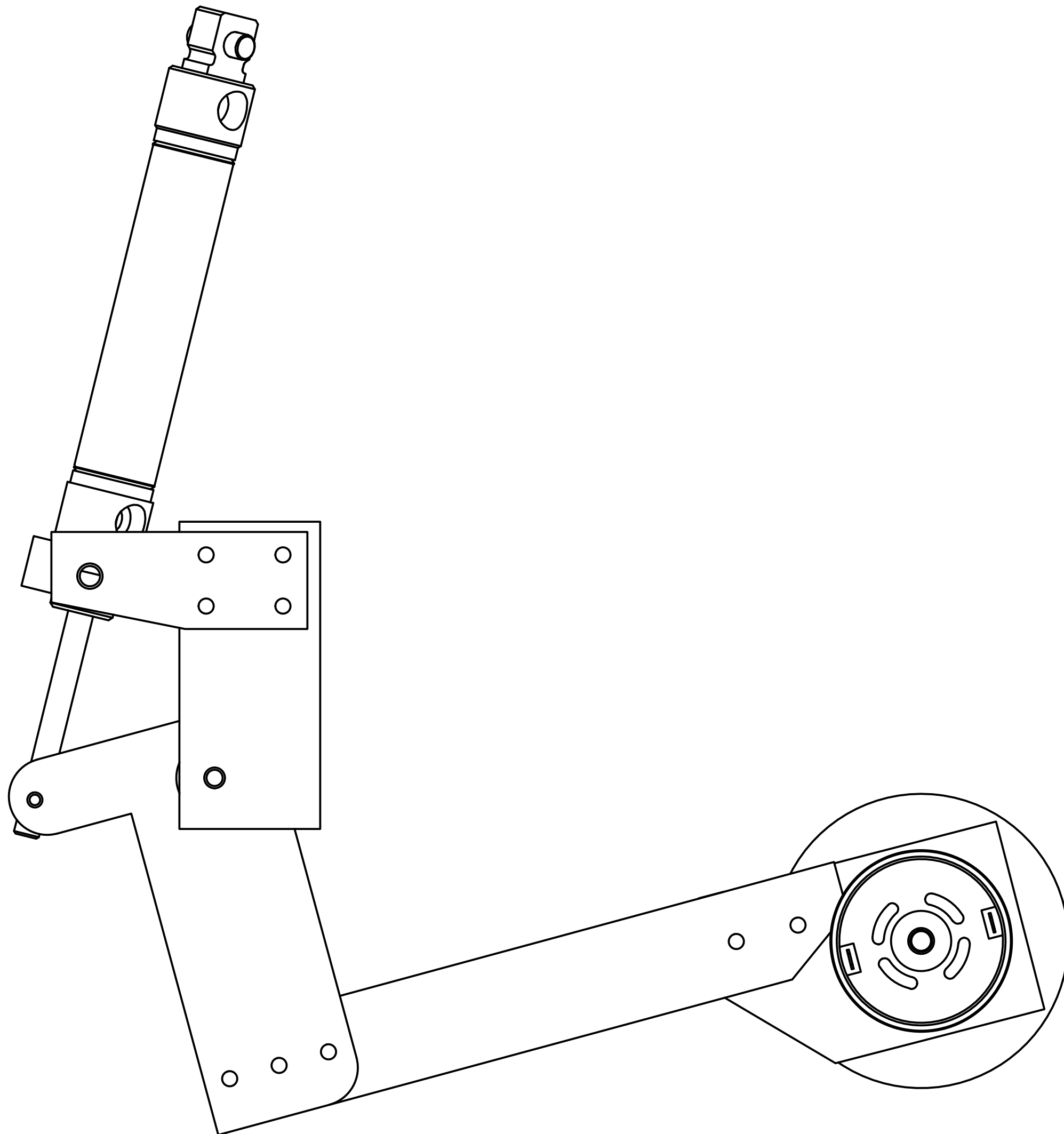


4

3

2

1



D

D

C

C

B

B

A

A

PRODUCED BY AN AUTODESK EDUCATIONAL PRODUCT

PRODUCED BY AN AUTODESK EDUCATIONAL PRODUCT

DRAWN stc21630	3/6/2015			
CHECKED		TITLE		
QA				
MFG				
APPROVED				
		SIZE C	DWG NO Bin Acquisition PG	REV
		SCALE	SHEET 3 OF 3	

4

3

2

1